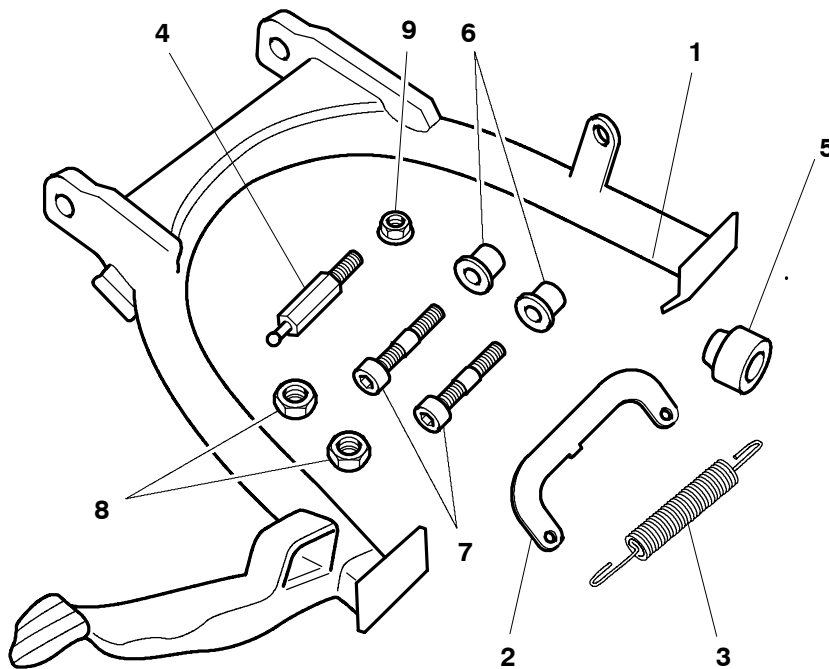


! WARNING: Always have Triumph approved parts, accessories and conversions fitted by a trained technician of an authorised Triumph dealer. The fitment of parts, accessories and conversions by a technician who is not of an authorised Triumph dealer may affect the handling, stability or other aspects of the motorcycle operation which may result in an accident causing injury or death.

! WARNING: Throughout this operation, ensure that the motorcycle is stabilised and adequately supported to prevent the risk of injury from the motorcycle falling.



T908.00.00

! WARNING: This kit is designed for use solely on Triumph Bonneville motorcycles and should not be fitted to any other Triumph model or motorcycles of other manufacturers. Fitting this kit to any other Triumph model, or motorcycles of other manufacturers, may interfere with the rider and could affect the stability and handling of the motorcycle leading to an accident causing injury or death.

Parts Supplied

| | | | |
|--------------------------|---|--------------------------|----|
| 1. Centre stand | 1 | 8. M10 nuts | 2 |
| 2. C-bracket | 1 | 9. M8 locknut | 1 |
| 3. Spring | 1 | 10. Grease sachet | 1* |
| 4. Spring retainer | 1 | 11. Spacer plate | 1* |
| 5. Rubber stop | 1 | 12. Plastic plug | 1* |
| 6. Pivot bushes | 2 | 13. Stop extension | 1* |
| 7. M10 x 50 bolts | 2 | | |

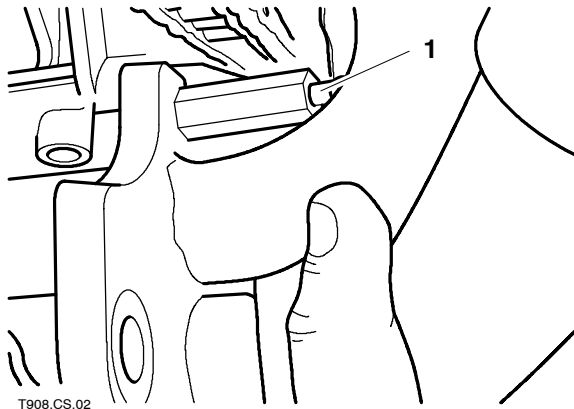
**Not illustrated*

Instructions part number A9900122 issue 3 - ADC 1233

© Triumph Designs 2001

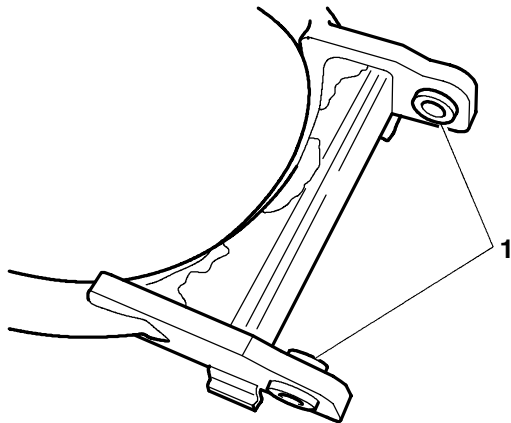
1. Fit the spring retainer to the hole on the right-hand side of the frame, directly above the centre stand mounting. Fit the M8 nut to the retainer and tighten it to 27 Nm.

Note: On California models undo the two screws securing the evaporative loss cannister bracket to the frame and position the cannisters clear to improve access.



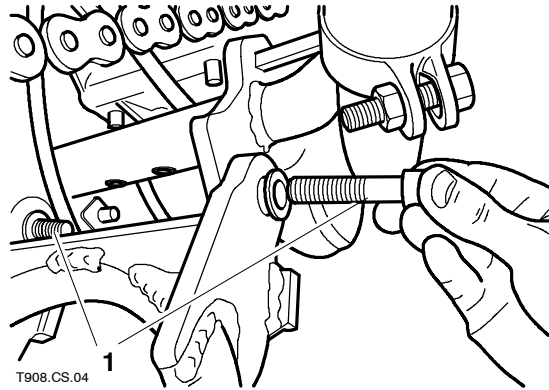
1. Spring retainer

2. Lubricate the pivot bushes with the grease supplied and fit them to the stand ensuring each bush shoulder is facing the right.



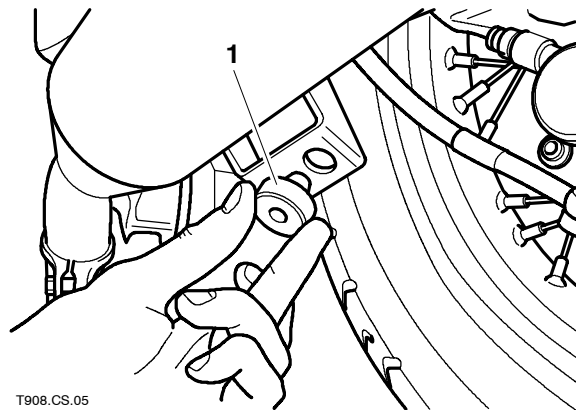
1. Mounting bushes

3. Align the centre stand assembly with the frame brackets, positioning the stand on the right-hand side of the brackets. Insert the M10 x 50 bolts from the outside so the threaded end of each bolt faces inwards. Fit the M10 nuts to the bolts and tighten to 45 Nm.



Fit the M10 x 50 bolts (1) as shown with their threaded ends facing inwards

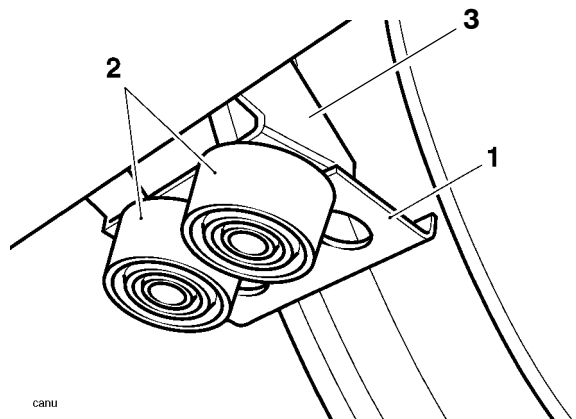
4. Fit the rubber stop to the rear hole on the left-hand silencer bracket.



1. Rubber stop

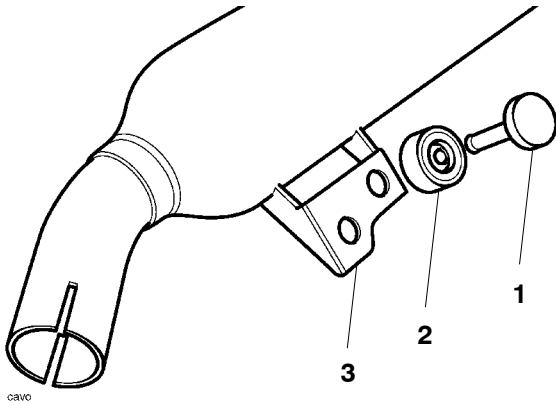
5. *If the silencer bracket holes are offset, proceed to step 6.*

If the silencer bracket holes are in line, insert the spacer plate between the rubber stops and the left-hand silencer bracket as shown below.



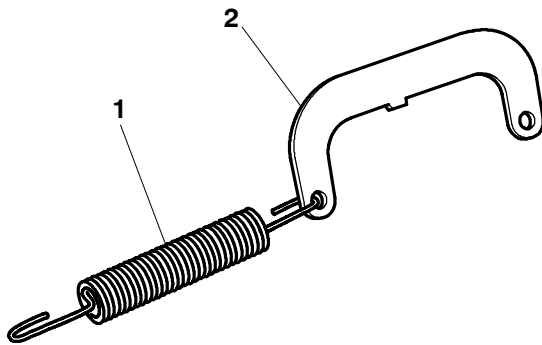
1. Spacer plate
2. Rubber stops
3. Silencer bracket

6. If the silencer bracket holes are offset, insert the centre stand stop extension into the rear rubber stop as shown below. If necessary, lubricate the plug to aid fitment.



- 1. Stop extension
- 2. Rubber stop
- 3. Silencer bracket

7. Fit the spring into the smaller hole in the C-bracket.

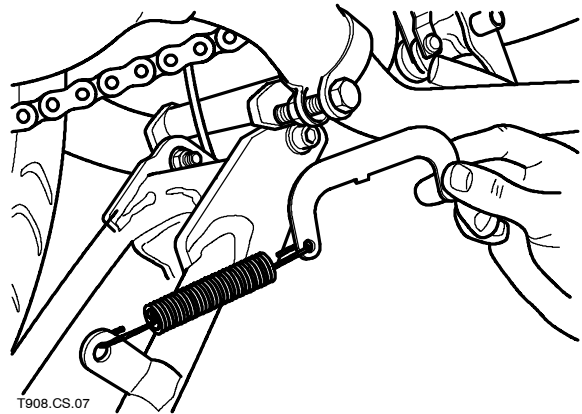


TT908.CS.06

- 1. Spring
- 2. C-bracket

8. Hook the spring onto its lug on the centre stand and locate the C-bracket correctly on the spring retainer.

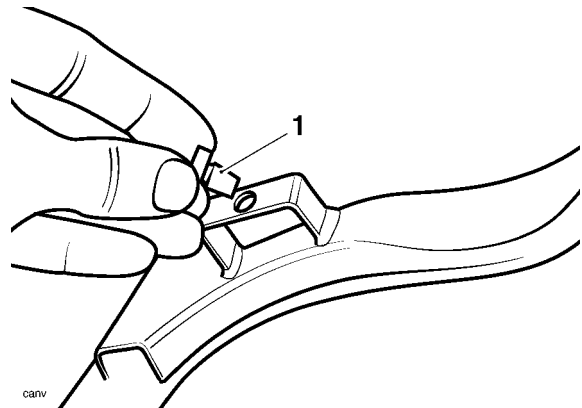
! WARNING: Wear hand, eye and face protection when fitting the spring. Take great care to minimise the risk of personal injury and loss of components.



9. Check the operation of the centre stand, ensuring the spring holds it securely in the retracted position.

Note: On California models seat the evaporative loss cannister bracket back on the frame and securely tighten its mounting screws.

10. Insert the plastic plug into the centre stand upstop bracket. If necessary, lubricate the plug with WD40 to aid fitment.



- 1. Plastic plug

11. If the gap between the stand footfinder and the silencer is greater than 10 mm, remove the plastic plug fitted in step 10.

12. Operate the stand a few times then retorque the M10 x 50 bolts to **45 Nm**.